



CLEVERCITI CIRC 360 ULTRA & ULTRA +

The Next Level of Guidance and Communications for Parking Areas

An omni-directional LED sign that displays live parking information and messaging. The displays are ideal for a range of dynamic on-street and open-air digital signage applications, including local parking guidance and availability, advertising, smart city data, security notifications, and more.

The Circ 360 Ultra's intuitive design dramatically decreases the time drivers spend searching for parking spaces thereby reducing unnecessary traffic and emissions.

“The Circ has allowed Redwood City to provide dynamic parking information to the public. It allows parkers to get a real-time snapshot of the parking availability in an area, minimizing unneeded circling and reducing traffic congestion.”

- CHRISTIAN HAMMACK,
TRANSPORTATION & PARKING MANAGER,
REDWOOD CITY, CALIFORNIA



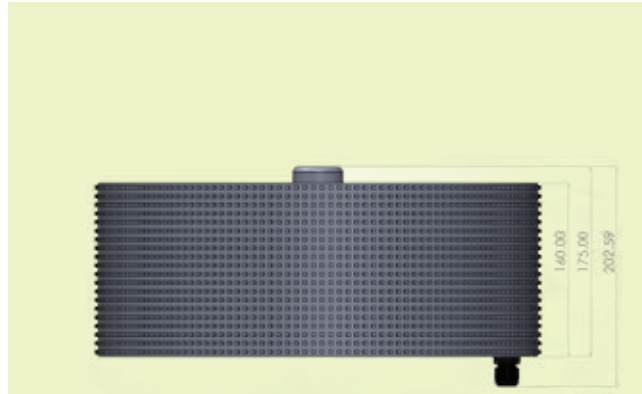
CIRC 360 ULTRA

CIRC 360 ULTRA +

- TECHNOLOGY AND FEATURES**
- 360° Digital Display
 - Fully adjustable rotating or static text & images
 - Automated Scheduling for Parking Information
 - Automatic brightness adjustment
 - Ingress protection rating IP65
 - Preconfigured templates
 - Remotely managed & monitored 24/7
 - Mounts on existing infrastructure
 - Expandable Design (standard or double height)



Technical Specifications:



CIRC 360 ULTRA

DISPLAY AREA	16cm x 128 cm 6¼" x 50½" 360°
WEIGHT	13kg/29 lbs
RESOLUTION	20 x 160 pixels (Pixel Pitch 8mm) RGB SMD LEDs
BRIGHTNESS	4500cd/m²



CIRC 360 ULTRA +

DISPLAY AREA	32cm x 128cm 12½" x 50½" 360°
WEIGHT	24kg / 53lbs
RESOLUTION	40 x 160 pixels (Pixel Pitch 8mm) RGB SMD LEDs
BRIGHTNESS	4500cd/m²

CIRC 360 ULTRA & ULTRA +

POWER SPECIFICATIONS

External power supply with low voltage cabling between power supply and device. Specifications for external supply are as follows:

Input Voltage: 90-277 VAC
 Input Frequency: 47-63Hz
 Typical operating power consumption: ULTRA: 30-50W
 ULTRA +: 50-100W

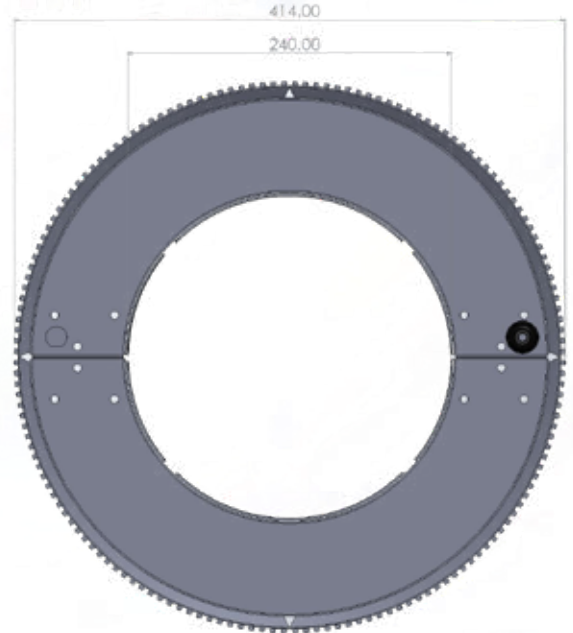
Safety & EMC compliance: EN61000-3-2, Class C input protection

CONNECTIVITY

Wifi (5GHz-2.4GHz)
 LTE/4G/3G
 LAN

THERMAL MANAGEMENT

Fan-less Design



Circ 360 is a patented system, U.S. Patent No10,431,985 B2 and a registered design, German Gebrauchsmuster Nr.202017007122. Additional patents pending. Cleverciti, Circ 360 and Circ are registered trademarks of Cleverciti Systems GmbH. All rights reserved.

CLEVERCITI SYSTEMS GMBH
 GLOBAL HEADQUARTERS

Munich Office
 Hofmannstrasse 54
 81379 Munich, Germany
 Tel: +49 89 78576736-23

CLEVERCITI SYSTEMS CORP.
 NORTH AMERICAN OFFICES

Atlanta Office
 8000 Avalon Blvd. Suite 100
 Alpharetta, Ga. 30009
 Tel: (331) 218-7323

www.cleverciti.com
 info@cleverciti.com